

Tier Lite Wall Mount

PROJECT:

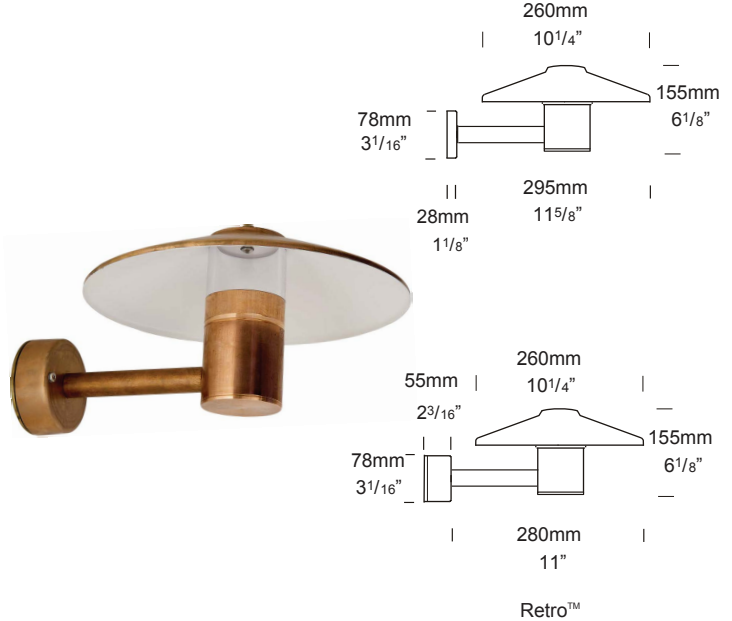
TYPE:

SOURCE:

NOTES:

PURELED SPECIFICATIONS

LED Chip	Cree XHP-50-2 Plug and Play field replaceable LED board
Luminaire Output	510 Lumens @ 1050mA (6 watts), 340 Lumens @ 700mA (4 watts), 160 Lumens @ 350mA (2 watts), delivered from luminaire with unobstructed beam.
Lumens Per Watt	85 lumens minimum @ 6 watts, delivered from luminaire with unobstructed beam
CRI (3000K)	90+
Colour Temperatures	2700K, 3000K, 4000K
Beam Angles	360 degrees
Ingress Protection	IP66
Warranty	Electronics = 5 years Body Cop/ SS = 10 years Body Aluminium = 5 years
Standards	AS/NZS 61046, EN60598 cUL 1838, 2108, 1598 CSA C22.2 No. 250.7, No. 250.0-08, No. 250.0 CE



PRODUCT CONFIGURATION

Please fill in appropriate codes into boxes provided

Cat. No. TLWM/L

Luminaire	Power	Material/ Finish	Beam	Colour	Accessories
TLWM/L					
S SERIES, REMOTE DRIVER		ALUMINIUM	360 360°	2 2700K	WBAP WALL BOX ADAPTOR
D3 12VAC, 2W INTEGRAL		EBK BLACK		3 3000K	CJK CABLE JOINT KIT
D7 12VAC, 4W INTEGRAL		EBZ BRONZE		4 4000K	BOLOP OPAQUE LENS
D10 12VAC, 6W INTEGRAL		EGR OLIVE GREEN			
R 110/240V DRIVER		EWH WHITE			
		EWB WHITE BIRCH			
		EDG DARK GREY			
		ESTAR SILVER STAR			
		ECT CORTEN			
		COP SOLID COPPER			
		SS STAINLESS STEEL			

SERIES, REMOTE DRIVER REQUIRED:
Constant current driver
Individual fixtures require 6vdc @ 1050mA maximum

12VAC INTEGRAL DRIVER:
Hunza integrated plug and play driver (included)
Input: 9-15VAC
Output: 6vdc @ D3=350mA, D7=700mA, D10=1050mA (1050mA limited to ≤ 40°C (104°F) ambient temperature in stainless steel)

110/240VAC RETRO DRIVER:
Input: 120/240vac, 5 watt total (driver included)
Output: 6vdc, 700mA (non dimming)

OTHER LAMP OPTIONS:

TLWM/H - MR16 Halogen 12V Lamp
TLWM/SL - MR16 LED Retrofit 12V Lamp (lamps vary by market - please refer to supplier for details)
TLWM/GUH - GU10 120/240V Halogen Lamp (body length increases for all GU10 lamps)
TLWM/GUSL - GU10 LED Retrofit 120/240V Lamp (lamps vary by market - please refer to supplier for details)

[Click here for halogen specification sheet](#)

[Click here for 240v Remote Power Supply Guidance Charts](#)

[Click here for USA Remote Power Supply Guidance Charts](#)

LUMINAIRE CONSTRUCTION

CNC machined from one of the following metals:

Aluminium:

Body: high corrosion resistant 63.5mm (2^{1/2}") x 10mm (3/8") aluminium.

End cap: 63.5mm (2^{1/2}") aluminium rod.

Pole: 25.4mm (1") x 1.42mm (1/16") aluminium rod.

Base and Mounting Plate (Retro™): handspun 2mm (5/64") aluminium. Base cast from virgin CC401 low copper aluminium alloy chromate substrate and high UV resistant polyester powder coat.

Colours:

Black, Bronze, Silver Star, White, White Birch, Olive Green, Dark Grey, Corten.

Copper:

Body: 63.5mm (2^{1/2}") x 10mm (3/8").

End cap: 63.5mm (2^{1/2}") copper rod.

Pole: 25.4mm (1") x 1.42mm (1/16") copper rod.

Base and Mounting Plate (Retro™): handspun 2mm (5/64") copper disk and forged brass.

316 Stainless Steel:

Body: 63.5mm (2^{1/2}") x 10mm (3/8").

End cap: solid 316 stainless steel 63.5 (2^{1/2}") rod.

Pole: 316 stainless steel 25.4mm (1") x 1.42mm (1/16") rod.

Base and Mounting Plate (Retro™): investing cast and CNC machined 316 stainless steel.

Lens:

UV stable clear polycarbonate with stainless anti-glare mesh.

Hood:

260mm (10^{1/4}") x 1.2mm (0.5") hand spun aluminium, copper or stainless steel.

NOTE: The underside of copper and aluminium hoods have a white coating to maximise light reflection.

Gaskets:

Silicone, iron impregnated 220°C (428°F)

Mounting:

12 volt: the luminaire is mounted to the wall using two 316 stainless screws through a shallow base 28mm (1^{1/8}") in depth.

Retro™ (110/240-12volt): a mounting plate is fixed to the wall using two screws and the luminaire is fitted to the mounting plate.

Luminaire Weight:

Low voltage

Alum: 0.915kg (2lb)

Cop: 1.590kg (5lb 11oz)

SS: 1.450kg (3lb 3oz)

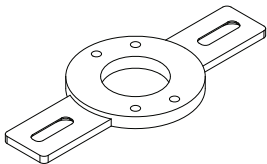
Retro™

Alum: 2.000kg (4lb 6oz)

Cop: 3.000kg (6lb 9oz)

SS: 2.900kg (6lb 6oz)

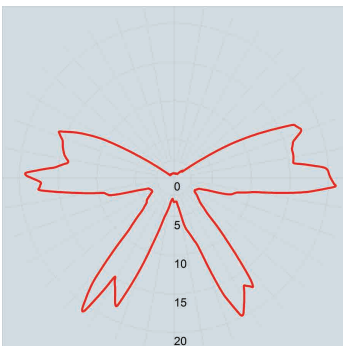
ACCESSORIES



Wall Box Adaptor

BEAM ANGLES

IES files available for download: hunzalighting.com/downloads

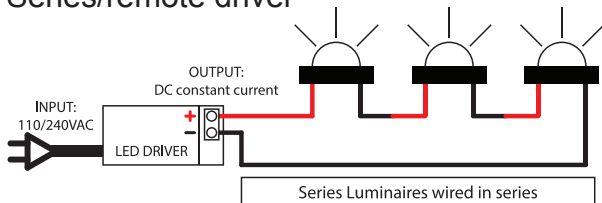


Polycarbonate lens

WIRING GUIDE

Available for download: hunzalighting.com/downloads

Series/remote driver



Diagrams are a guide only, wire colours and polarity may change depending on fixture and country

12v integral driver

