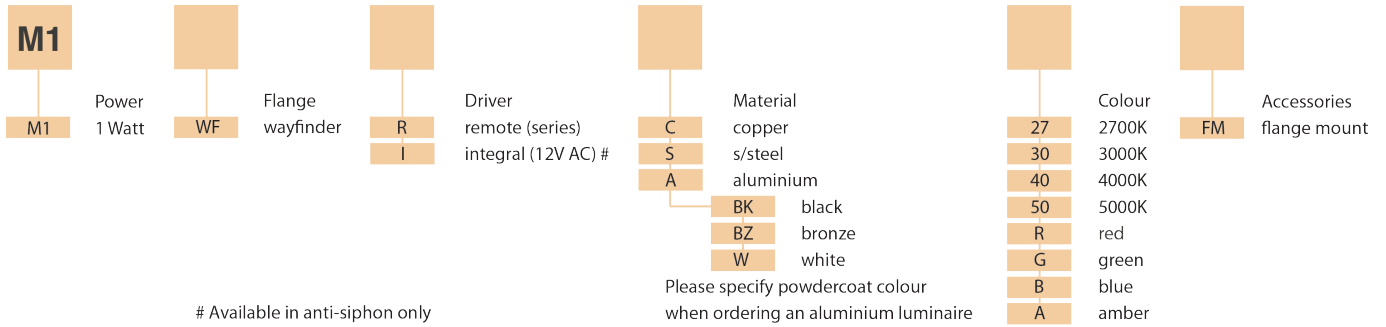


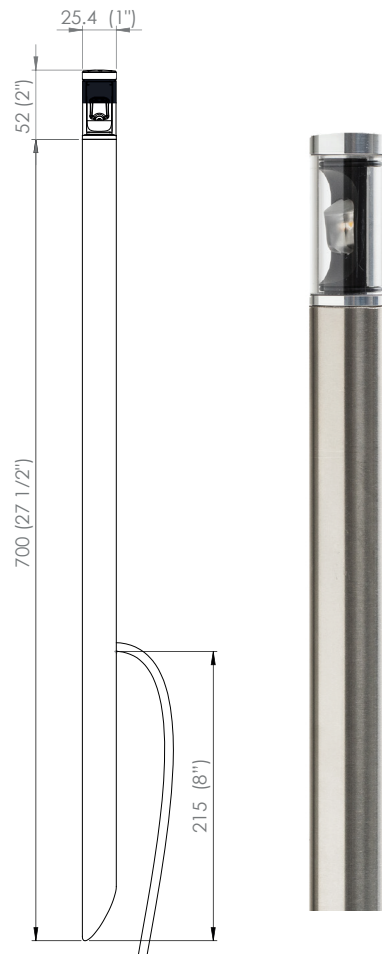


## M1 WAYFINDER CONFIGURATION



## SPECIFICATIONS

Power	1 Watt
Ingress Protection Rating	IP68
Cable	H05RN-F 1m Included
Material	- Black/White/Bronze Powdercoated - Natural Copper - 316 Stainless Steel
Removable Light Engine	Screw Mounted 1W Cree XPG-3 Chip
Colour Temperature	Warm White - 2700K and 3000K Neutral White - 4000K Cool White - 5000k Red, Green, Blue, Amber
CRI	90+ CRI
<b>Efficacy</b>	80lm/w - Delivered from Luminaire with unobstructed beam
Input	350mA Constant current (Remote) 12v AC (Integral) 240v (Integral) *Europe only
Warrenty	Electronics Warranty 5 Years
Body Warrenty	5 years Aluminium and 10 years Copper and Stainless Steel
LED Shield	LED Bypass Shunt Reverse polarity protection



## ACCESSORIES

Surface mount flange  
(Please refer to the accessories page)